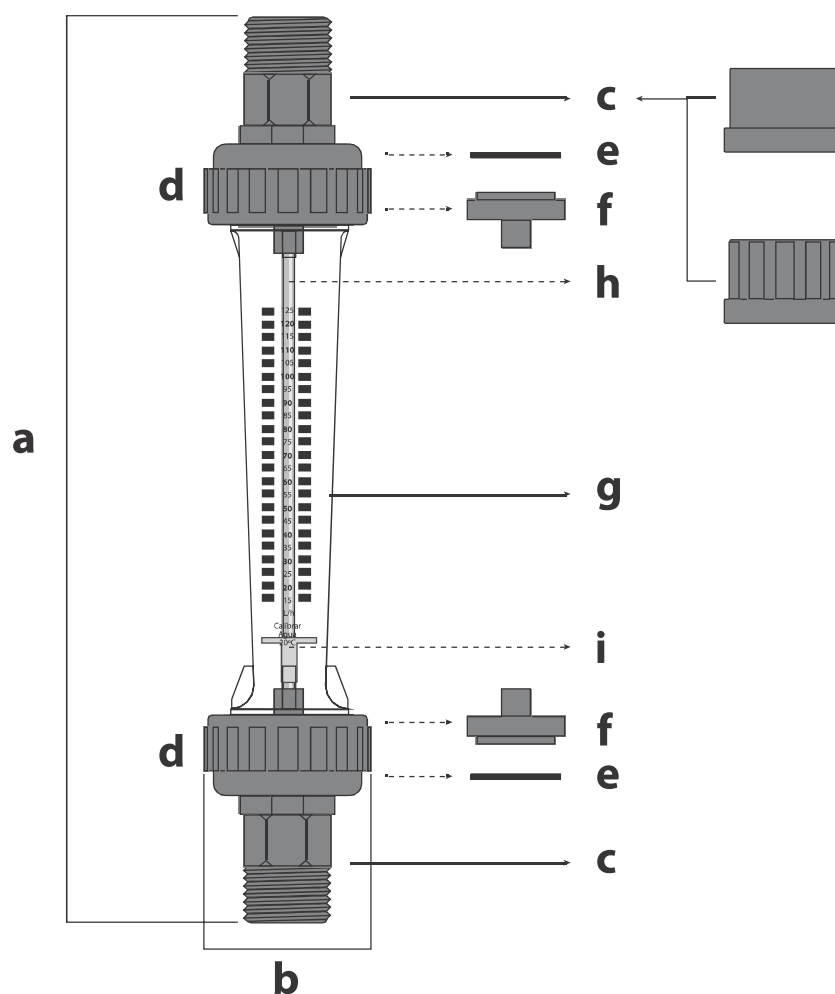


TECHNICAL DATASHEET

FLOWMETER 1/2" POLYCARBONATE 20...120 SERIE - GR

- Made of polycarbonate or polysulfone
- Parts on PVC
- Float and Guide of INOX (AISI316)

Measures



A	216 mm	F	Guide locator (Page 14-17)
B	42,15 mm	G	Flowmeter visor (Page 12-13)
C	Conection pipe: Male Thread, female thread and glued. (Pages 20-25)	H	Guide shaft (Page 37)
D	Rotating connection (pages 18-19)	I	Floater ball bearing (Pages 26-33)
E	O-ring (Page 36)		